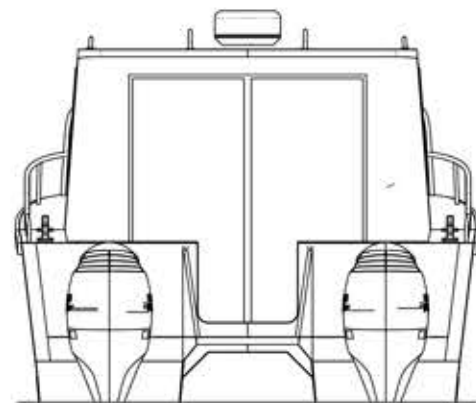


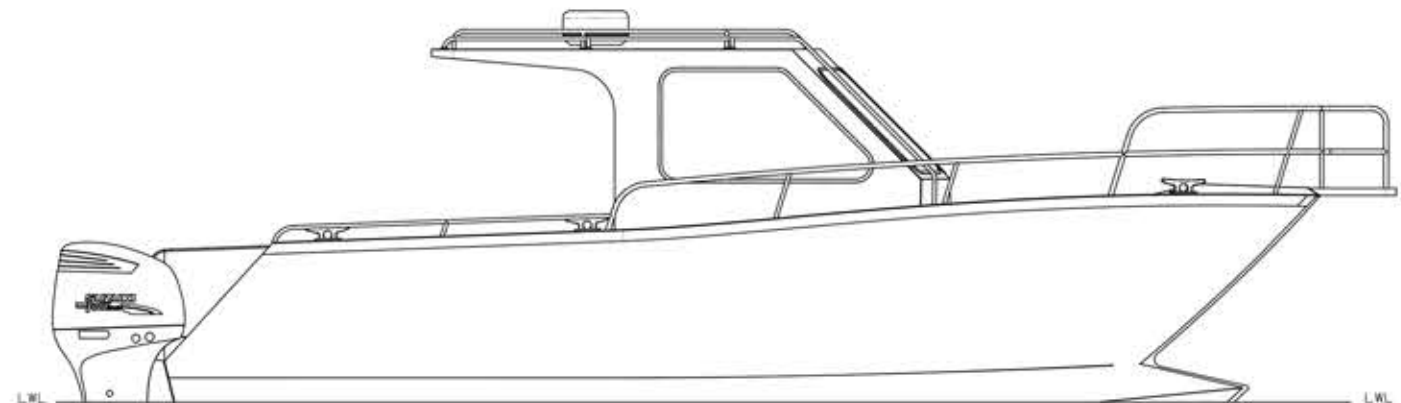
GENERAL PARTICULARS

HULL LENGTH	8.1 m
LENGTH OVER ALL	9.3 m
BEAM OVER ALL	3.22 m
LOAD WATERLINE LENGTH	7.4 m
DRAFT	0.35 m
DISPLACEMENT	3000 kg
RECOMMENDED POWER	2 x 225 HP

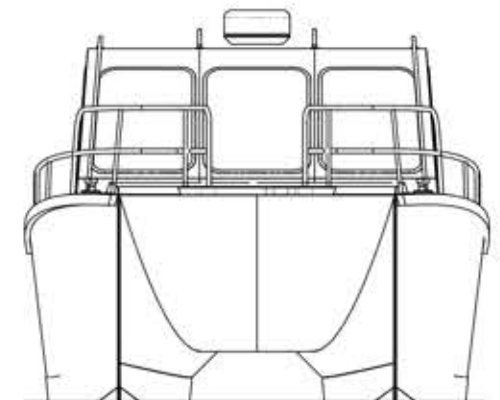
PLAN VIEW



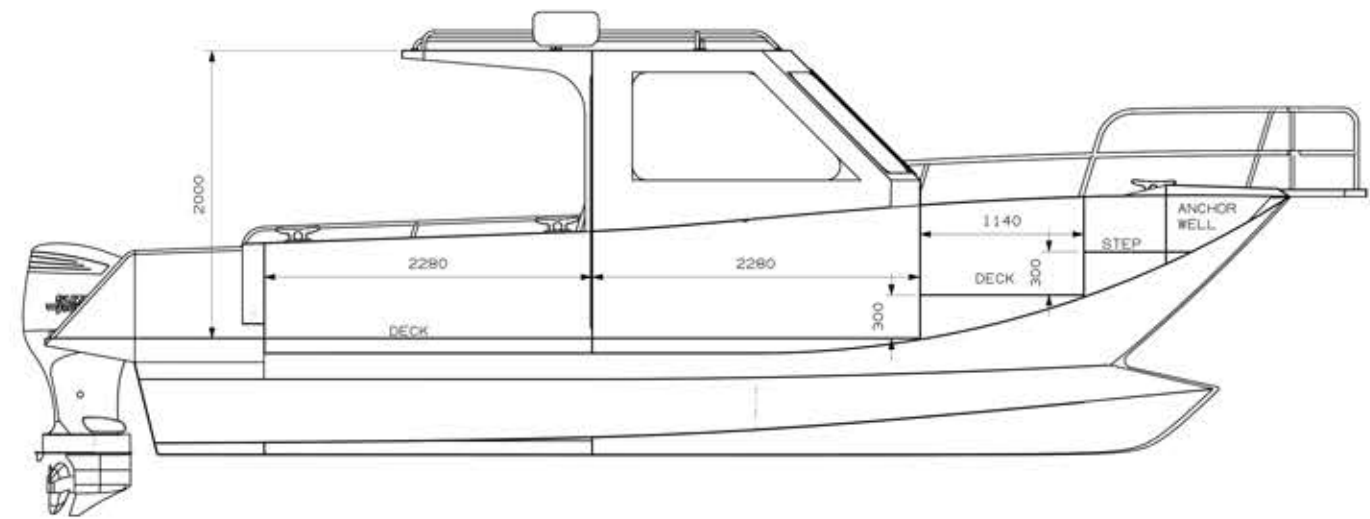
STERN VIEW



PROFILE



BOW VIEW



LONGITUDINAL SECTION