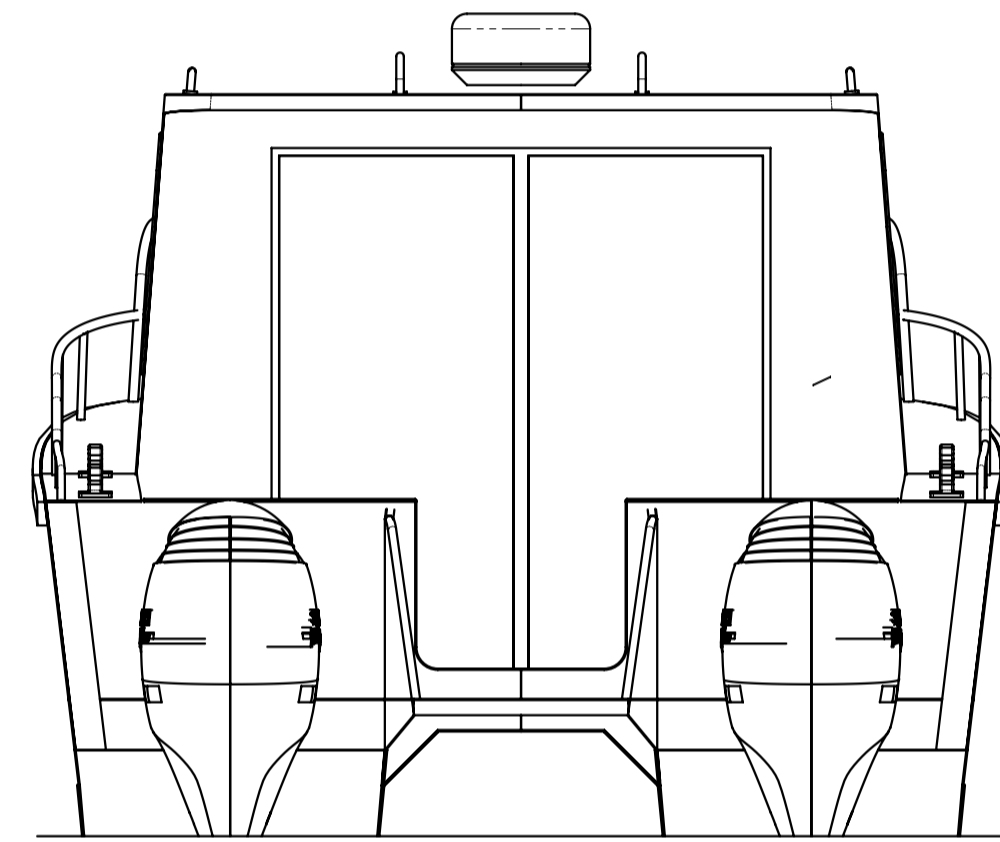


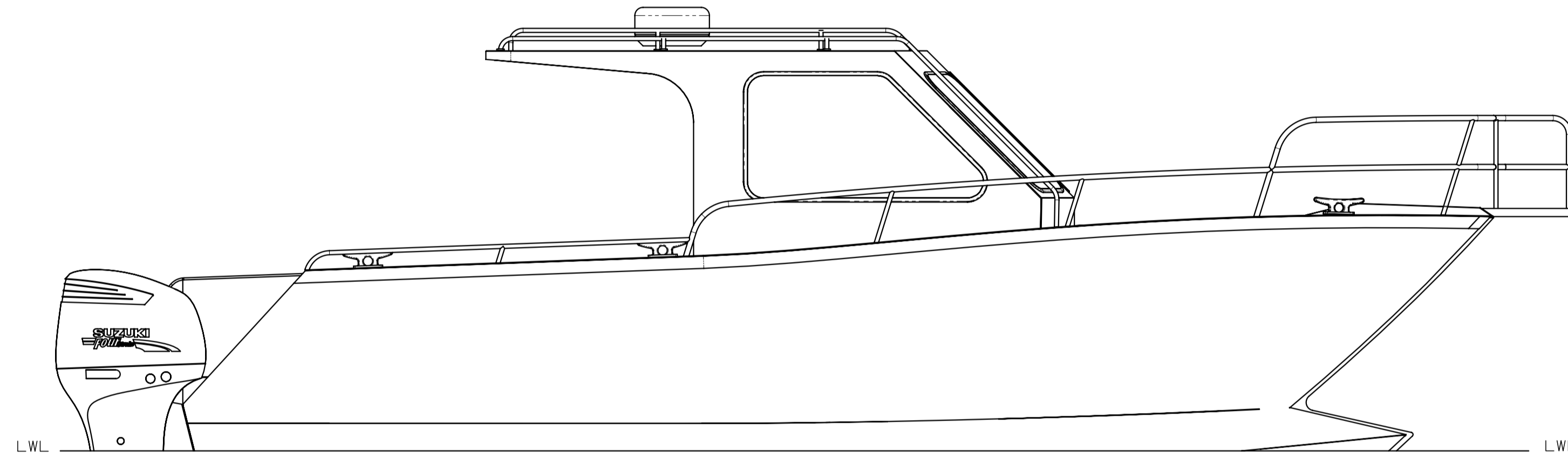
PLAN VIEW

GENERAL PARTICULARS

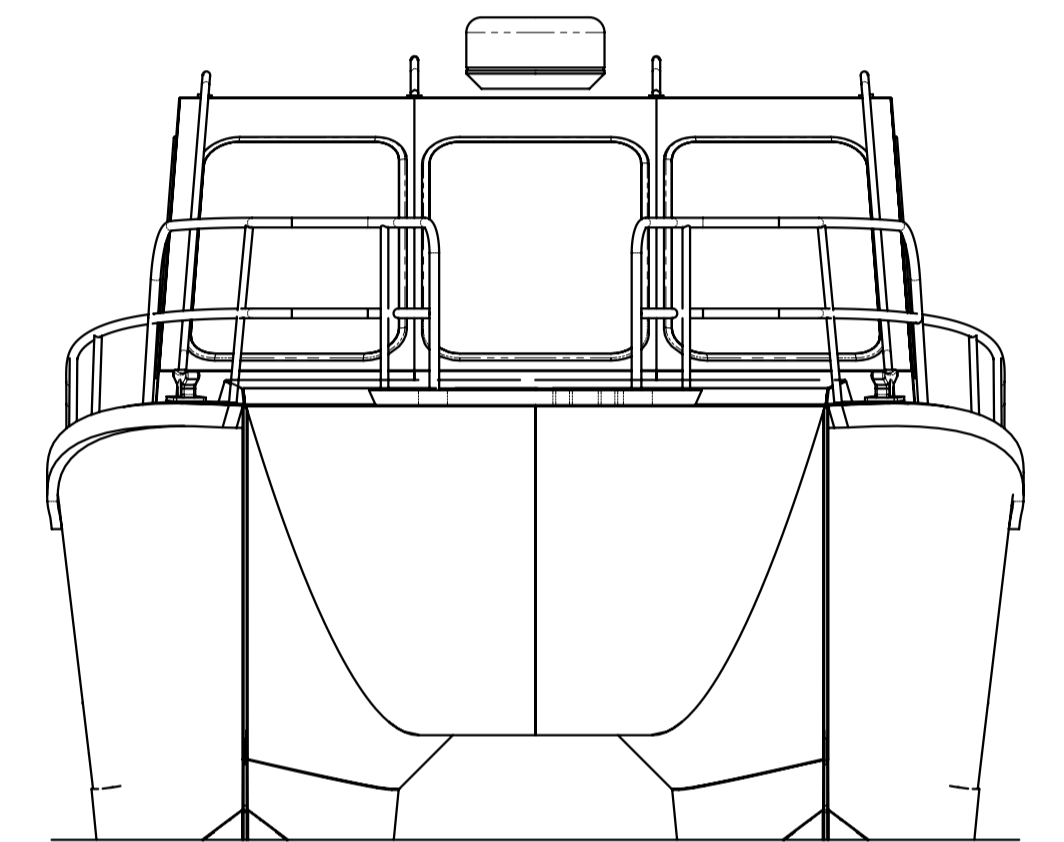
HULL LENGTH	8.1 m
LENGTH OVER ALL	9.3 m
BEAM OVER ALL	3.22 m
LOAD WATERLINE LENGTH	7.4 m
DRAFT	0.35 m
DISPLACEMENT	3000 kg
RECOMMENDED POWER	2 x 225 HP



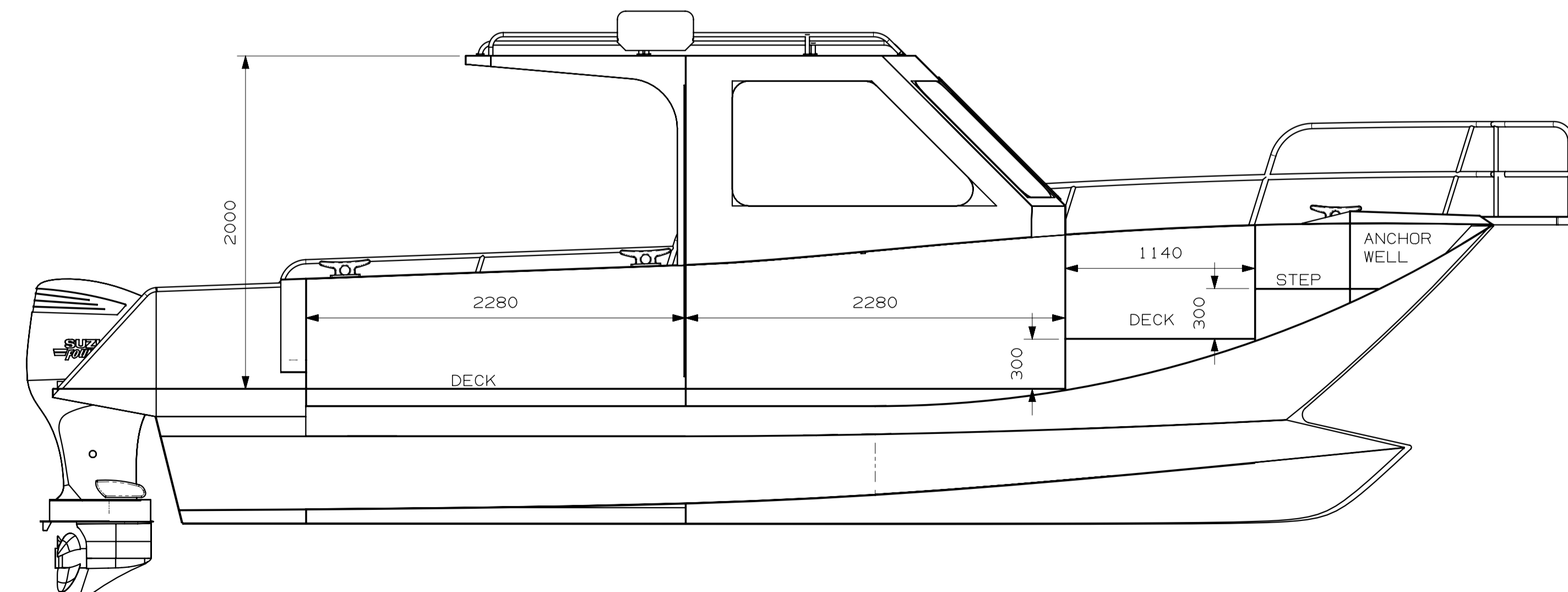
STERN VIEW



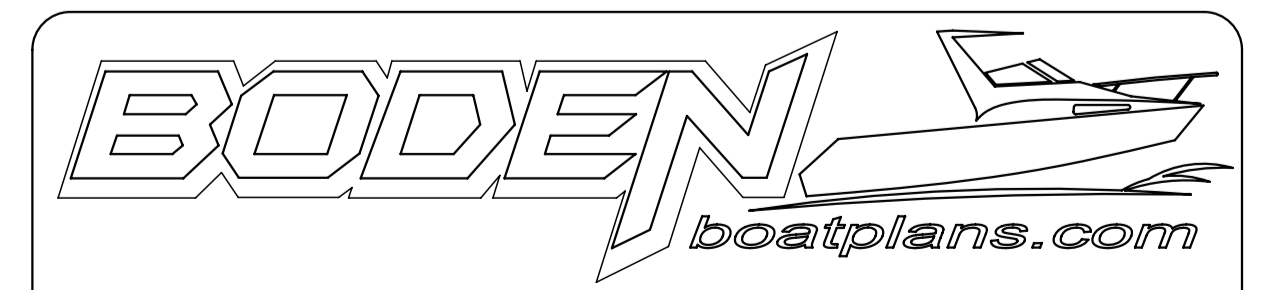
PROFILE



BOW VIEW



LONGITUDINAL SECTION



DRAWN	DATE	REV	8.1m Z BOW CAT Mk2 GENERAL ARRANGEMENT 1007-1-01
TM	FEB 10	A	
SCALE	SHEET	SIZE	
1:20	1 OF 1	A1	

NOTE: THIS DRAWING AND THE INFORMATION HERE ON, IS SUPPLIED ON THE UNDERSTANDING THAT IT IS THE EXCLUSIVE PROPERTY OF BODEN BOAT PLANS AND MUST NOT BE REPRODUCED IN WHOLE OR PART, WITHOUT PERMISSION IN WRITING.