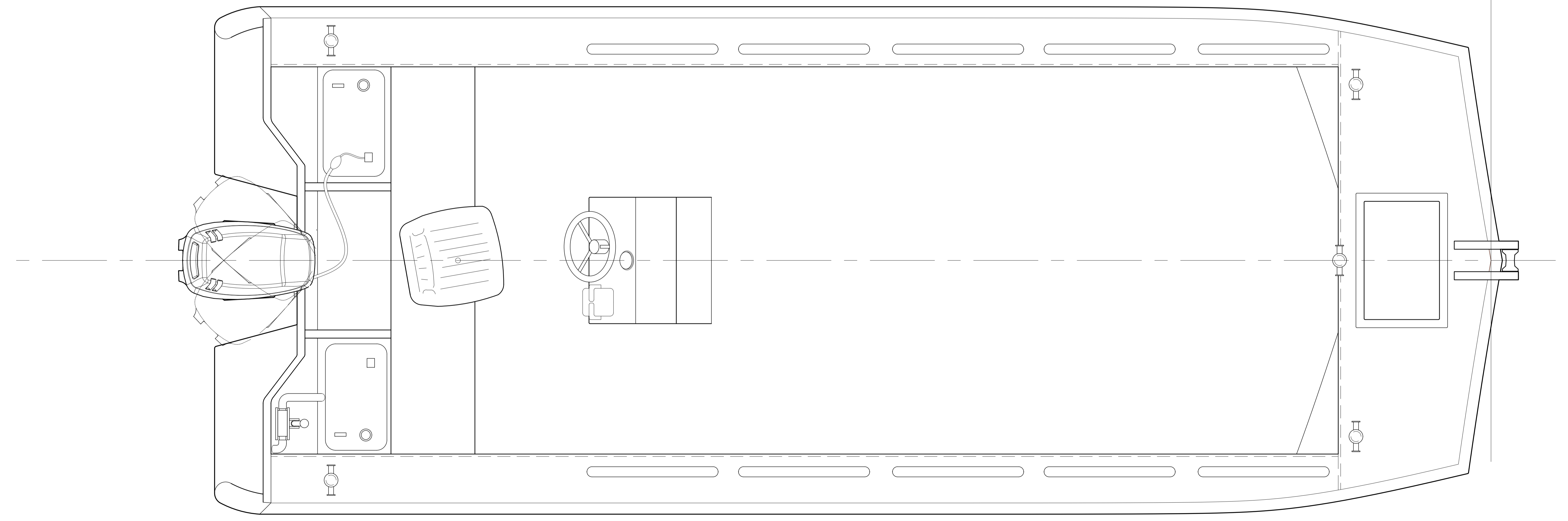
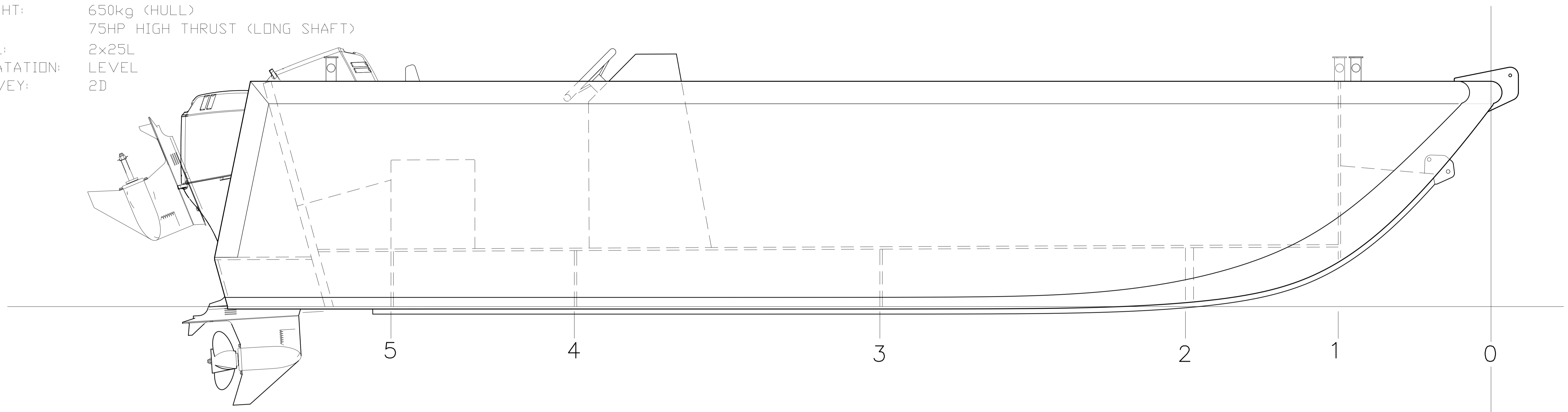


PRINCIPAL PARTICULARS

HULL LENGTH: 6.2m
BEAM: 2.50m
DRAFT: 0.150m (HULL)
CAPACITY: 1+7 PEOPLE
800 kg
WEIGHT: 650kg (HULL)
ENG: 75HP HIGH THRUST (LONG SHAFT)
FUEL: 2x25L
FLOATION: LEVEL
SURVEY: 2D



CHRIS TUCKER MARINE DESIGN PTY LTD.
PO BOX 194, OLINDA, VICTORIA, 3788, AUSTRALIA
PHONE +61 (0)3 9728 1754, INFO@CTMD.COM.AU

**6.2m HDPE WORK PUNT
FOR ALUMARINE
PRELIMINARY ARRANGEMENT**

BY CT	DATE OCT '19	SCALE 1:10 @ A1	DRWG 303/1
----------	-----------------	--------------------	---------------

THIS DRAWING MAY NOT BE COPIED, COMMUNICATED TO ANY PERSON OR USED FOR MANUFACTURE WITHOUT THE EXPRESS WRITTEN CONSENT OF THE DESIGNER.